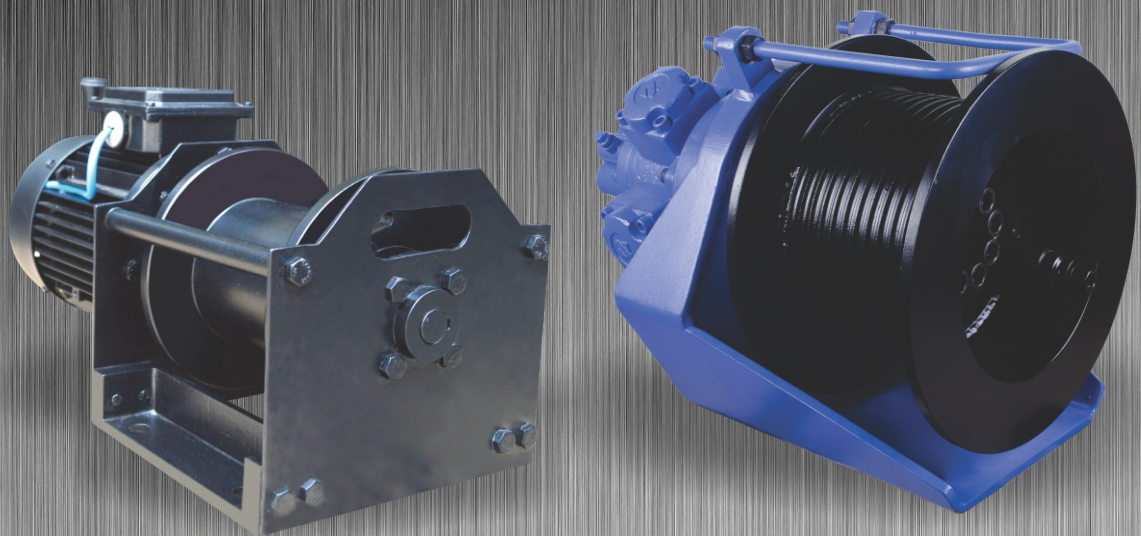


WINCH DRIVES GEAR BOX





TOPGEAR Manufactures the most comprehensive range of Hydraulic and Electric winches. Our range included Pulling winches, Lifting winches and customized winches. Some of the main components of our winches are as follows:

HYDRAULIC WINCHES :

Hydraulic drive motor (Radial, axial piston, and orbit motor), reduction gear box with disc brakes (Single / multiple stage planetary gear and worm / helical gear trains), free spooling drum, modular and compact design.

ELECTRIC WINCHES :

Heavy duty series, electric Drive AC / DC / Servo. The brakes are electromagnetic, the rotating ring gear as well fixed external gear box designs. Very Versatile speed range from 0.01 mpm to 50 mpm. Compact & Sturdy design with electric control panel.



TYPES OF WINCHES :

- Electrical winch
- Electrical self locking winch
- Electrical twin drum winch
- Manual winch
- Hydraulic winch
- Wire line winches (Higher rope capacity)
- Custom winch

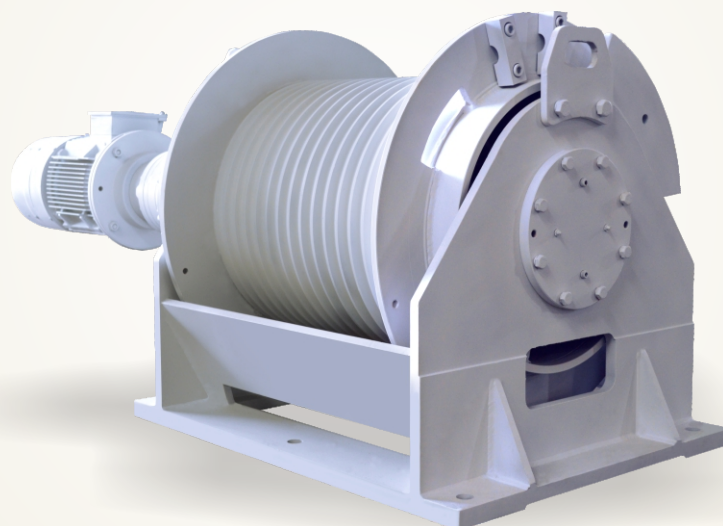
APPLICATIONS AREAS

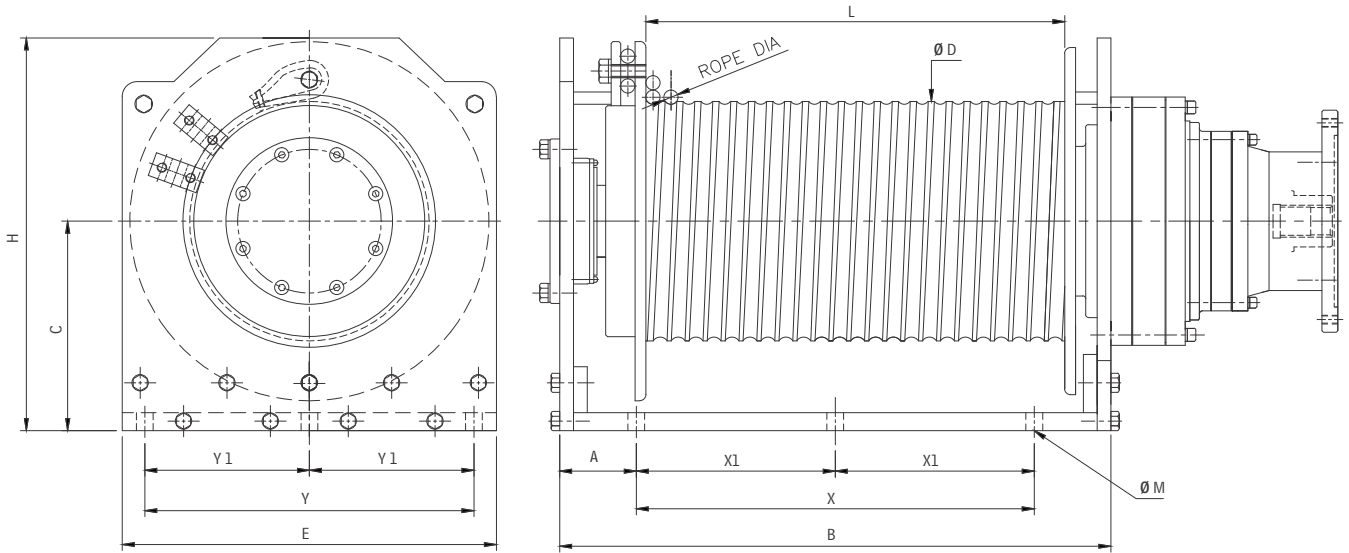
CONSTRUCTION & MOBILE

- Stiff boom truck mounted cranes
- Pick n carry cranes
- Rough terrain cranes
- Crawler cranes with lattice boom

DRILLING & MINING

- Core drills
- Blast hole drills
- Mining rigs
- Water well rigs
- Oil exploration rigs





ELECTRICAL WINCH

MODEL	X	B	Y	ØD	E	A	X1	Y1	C	H	L	ØM	Rope Dia mm	Rope capacity (m)	Line Pull (N)	Motor Power (Kw)	Line Speed m / min
WH - E 0250	140	192	170	95	200	24	-	-	108	190	110	13	6	10-20	2500	0.37	0.1-18
WH - E 0500	135	215	165	130	220	45	-	-	110	210	160	14	8	10-20	5000	0.75	0.1-18
WH - E 1000	135	235	170	160	220	50	-	-	140	240	170	14	10	10-30	10000	1.5	0.1-18
WH - E 2000	170	282	310	250	400	55	-	-	210	395	180	22	13	10-50	20000	5.5	0.1-35
WH - E 3000	170	282	310	250	400	55	-	-	210	395	180	22	16	15-60	30000	10	0.1-40
WH - E 5000	510	610	410	300	500	80	-	-	270	470	480	22	16	20-100	50000	15	0.1-40
WH - E 7000	510	610	410	350	530	80	-	-	270	505	480	22	20	30-150	70000	15	0.1-30
WH - E 10000	550	920	670	400	625	125	335	275	350	660	700	28	20	50-200	100000	22.5	0.1-30
WH - E 15000	550	920	670	400	625	128	335	275	350	660	700	28	24	50-200	150000	22.5	0.1-18
WH - E 20000	650	895	780	450	940	121	350	390	490	940	700	32	24	50-200	200000	30	0.1-18
WH - E 30000	590	895	840	500	980	150	295	420	490	900	700	32	32	50-200	300000	30	0.1-12
WH - E 50000	590	895	840	600	1060	150	295	420	590	1100	700	32	36	50-250	500000	40	0.1-10

All Dimension are in mm

HYDRAULIC WINCH

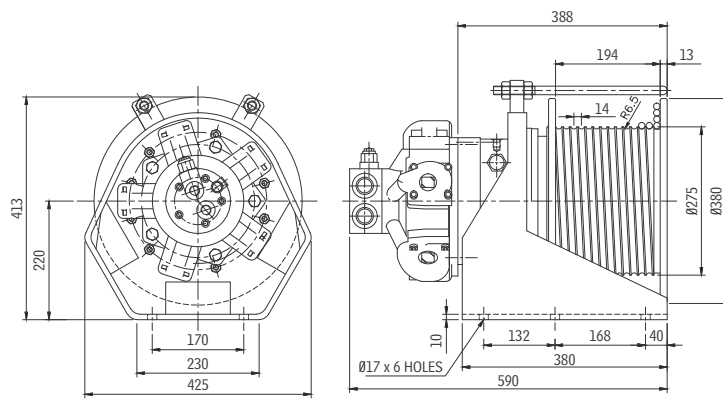
MODEL	X	B	Y	ØD	E	A	X1	Y1	C	H	L	ØM	Rope Dia mm	Rope capacity (m)	Line Pull (N)	Line Speed m / min
WH - H 2000	170	282	310	250	400	55	-	-	210	395	180	22	13	10-50	20000	20-30
WH - H 2500	170	282	310	250	400	55	-	-	210	395	180	22	13	10-50	30000	20-50
WH - H 3500	170	282	310	250	400	55	-	-	210	395	180	22	13	15-60	35000	20-50
WH - H 5000	510	610	410	300	500	80	-	-	270	470	480	22	16	20-100	50000	20-50
WH - H 7000	510	610	410	350	530	80	-	-	270	505	480	22	20	30-150	70000	20-50
WH - H 10000	550	920	670	400	625	125	335	275	350	660	700	28	20	50-200	100000	20-50
WH - H 15000	550	920	670	400	625	128	335	275	350	660	700	28	24	50-200	150000	20-50
WH - H 20000	650	895	780	450	940	121	350	390	490	940	700	32	24	50-200	200000	20-50
WH - H 30000	590	895	840	500	980	150	295	420	490	900	700	32	32	50-200	300000	20-50
WH - H 50000	590	895	840	600	1060	150	295	420	590	1100	700	32	36	50-250	500000	20-50

Hydraulic motors are selected in consultation of user & if requested can be added in TGT Scope

All Dimension are in mm

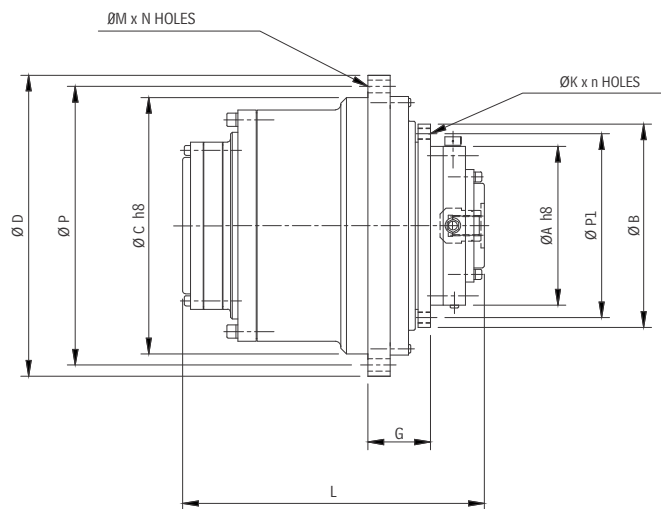
HYDRAULIC WINCH

With Radial Piston Motor & OCV



MODEL	WHR 1500	WHR 2000	WHR 2500	WHR 3000
Line Pull, 1st Layer (N)	15000	20000	25000	30000
Line Pull, 4th Layer (N)	13000	16000	20000	24000
Max. Line Speed (m/Min)	55	55	55	50
Rope Diameter (mm)	13	13	13	13
Rope Length 4th Layer in mts	50	50	50	50
Ratio	1.7	1.7	1.7	1.5
Torque Cont. (Nm) Gear Box	3500	3500	3500	5000
Torque Peak (Nm)	7000	7000	7000	10000
Hyd. Motor Displacement (cc/rev.)	166	172	243	340
Working Pressure (bar)	160	175	175	175
Max. Flow (lpm)	60	60	60	120
Rated Torque Motor (Nm)	660	670	950	1060
Brake Release Pressure (bar)	25	25	25	30

WINCH GEAR BOX



MODEL	TORQUE (Nm)	RATIO	Ø A	Ø B	Ø C	Ø D	P	Ø P1	G	L	M x N	Ø K x n
WG - 200	2200	33 to 100	150	190	192	270	245	170	74	303	Ø 11 x 12	M 10 x 8
WG - 225	3500	33 to 100	150	190	225	270	245	170	42	298	Ø 11 x 12	M 10 x 8
WG - 280	12000	33 to 100	270	330	280	376	335	300	96	332	Ø 22 x 10	M 16 x 18
WG - 320	26000	33 to 100	170	220	320	370	340	190	70	360	Ø 13 x 16	M 12 x 16
WG - 380	50000	33 to 100	200	260	380	440	410	230	97	430	Ø 18 x 16	M 16 x 12
WG - 460	75000	33 to 100	285	365	460	540	500	330	112	551	Ø 22 x 16	M 20 x 12
WG - 500	90000	33 to 100	450	560	535	650	600	510	168	580	Ø 26 x 30	M 24 x 30



W-41, Additional M.I.D.C., Satara - 415 004. Maharashtra (INDIA) Tel.: + 91 - 2162 - 240 493, 240 642 Fax : + 91 - 2162 - 240 373

Email : sales@topgeartransmission.com | topgeartransmissions@yahoo.co.in | website : topgeartransmission.com

SALE OUTLETS :

Delhi • Ahmedabad • Baroda • Mumbai • Pune • Chennai • Vizag • Jamshedpur • Kolkata